

Aluflite Atlas extended oven rack



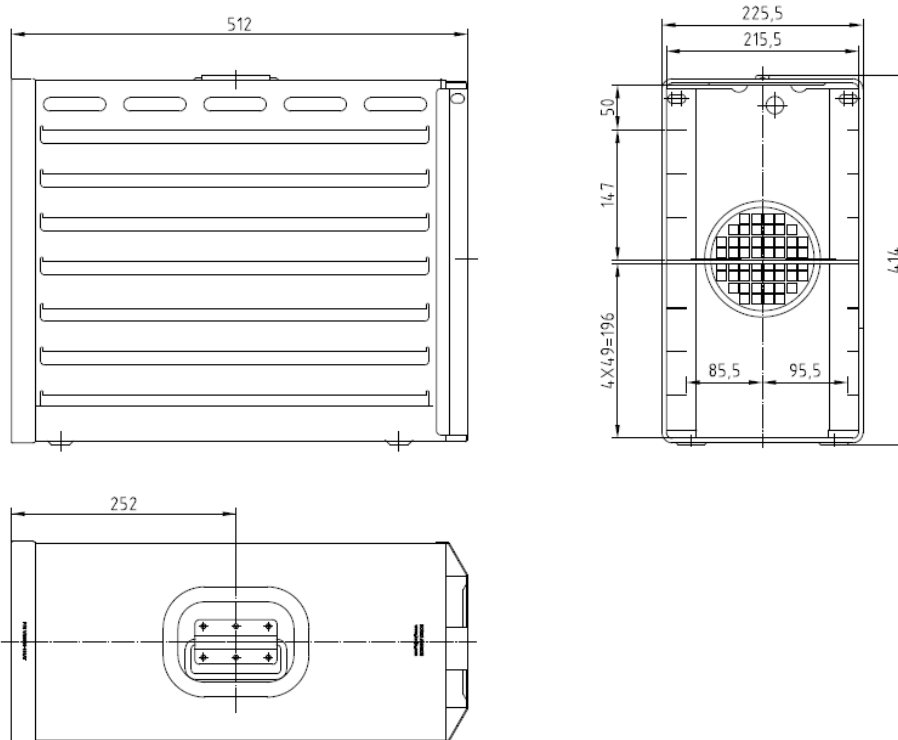
aluflite



Features:

- empty weight starting from 2.5 kg
- strong and lightweight design
- recessed top handle
- natural anodised finish
- with or without safety stopper system (option)
- embossed logo (option)

aluflite Atlas extended oven rack



Registered design

Atlas extended oven rack - Part number VR8005-101



Attributes:



Stability



Lightweight aluminium construction



Designed for strength and durability



Engineered to the highest standards



Tested & approved



Guarantee